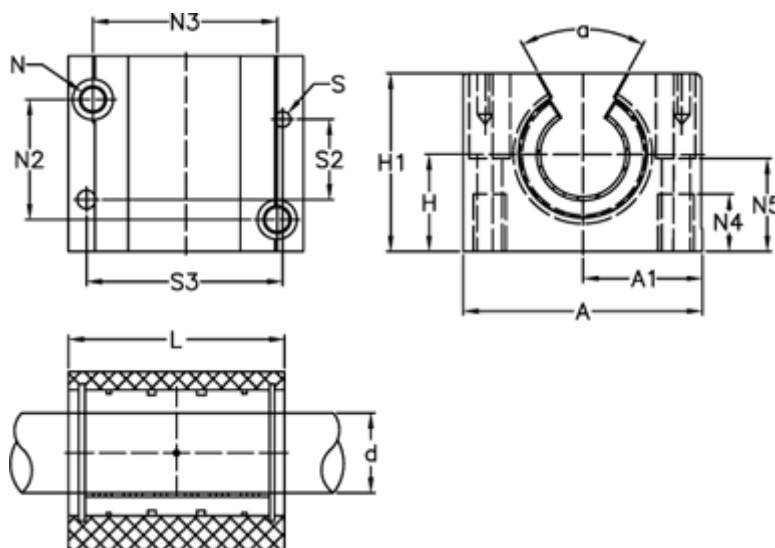


Article number: 50310502

Description: Open pillow block PMN 50 E  
FM standard bearing included

## Measures



A = 132	N3 = 108.00
a = 60 degrees	N4 = 34
A1 = 66.0	N5 = 49.0
H = 50	S = 10
H1 = 88	S2 = 42
L = 113	S3 = 108
N = M16 x 2,0	Static load (kg) = 5250
N2 = 50.00	Weight (kg) = 3.000